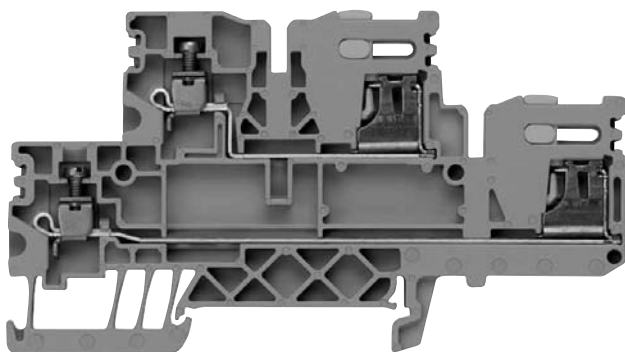


IDC-Hybrid terminals with IDC and screw connection IDK 1.5N/ZB

NEW



Weidmuller's latest insulation displacement (IDC) hybrid terminal, IDK 1.5N/ZB, offers a combination of IDC and screw clamp technology in a compact package, which provides OEMs the best of both worlds to capitalize on the time-saving IDC technology, yet continue to provide standard screw clamp technology for field wiring.

Thanks to external tensioning spring to the IDC contacts and a visual positioning of the wire guide, IDC contacts guarantee the best possible contact that is safe and reliable.

IDC technology offers an estimated time savings of up to 76% in comparison to conventional screw clamp methods of connection.

United States

Weidmuller
821 Southlake Blvd.
Richmond, Virginia 23236
Telephone: (800) 849-9343
Facsimile: (804) 379-2593
Email: info@weidmuller.com
Website: www.weidmuller.com

Canada

Weidmuller, Canada
10 Spy Court
Markham, Ontario L3R 5H6
Telephone: (800) 268-4080
Facsimile: (905) 475-2798
Email: info1@weidmuller.ca
Website: www.weidmuller.ca

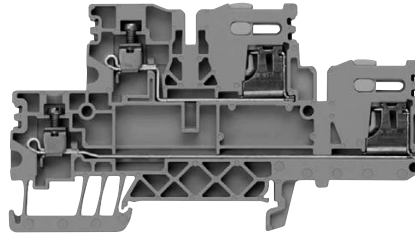
Mexico

Weidmuller, Mexico
Ave. Ingenieros Civiles 204-B
Conjunto Industrial Chachapa
Chachapa Amozoc, Puebla
72990, Mexico
Telephone: 01 222 2866246/47/48
Facsimile: 01 222 2866242

Hybrid terminals

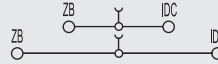
IDK 1.5 N/ZB

1.5 mm²



Width/Length/Height w. TS35x7.5 mm
 Max. current / max. cond. cross-section A/mm²
 Max. clamping range mm²

5.1 x 95.3 x 52.8
/ 1.5
0.21 ... 1.5



Technical data

Rated data
 Rated voltage V
 Rated current A
 Rated cross-section AWG
 Rated impulse voltage / Deg. of soiling kV/-
 Plug gauge IEC 60-947-1 / flammability class acc. UL94
 Approvals

IEC 60947-7-1 / IEC 60352-4 EEx e II Ex II 2 G D

| IEC | UL | CSA | EN 50019 |
|---------------------|----|---------|----------|
| 500 | | 300 | |
| 17.5 | | 10 | |
| 1.5 mm ² | | 26...12 | |
| 6 / 3 | | | |
| A3 / V-0 | | | |

Clampable conductors in mm²
 Solid / stranded mm²
 Flexible / flexible w. wire end ferrule mm²

| Rated connection | Additional connection |
|------------------|-----------------------|
| 0.21...1.5 | 0.5...4 |
| 0.21...1.5 | 0.5...4 / 0.5...2.5 |

Clampable conductors AWG
 Solid / stranded
 Flexible / flexible w. wire end ferrule
 Tightening torque range clamping screw Nm
 Stripping length / blade size mm / -

| Rated connection | Additional connection |
|------------------|-----------------------|
| AWG 24...16 | AWG 26...12 |
| AWG 24...16 | AWG 26...12 |
| - / 0.6 x 3.5 | 10 / 0.6 x 3.5 |

Information

Conductor < 0.5mm² / AWG 24 with IRH 1.5


Ordering data

Version

| Type | Qty. | Part No. |
|-------------|------|------------|
| IDK 1.5N | 50 | 1891950000 |
| IDK 1.5N BL | 50 | 1896720000 |

Information

Accessories

Cross-connection, pluggable
 (ZQV)
 2-pole
 3-pole
 4-pole
 10-pole

| Type | Current [A] | Qty. | Part No. |
|------------|-------------|------|------------|
| ZQV 2.5/2 | 24 | 60 | 1608860000 |
| ZQV 2.5/3 | 24 | 60 | 1608870000 |
| ZQV 2.5/4 | 24 | 60 | 1608880000 |
| ZQV 2.5/10 | 24 | 20 | 1608940000 |

End plate / partition
 dark beige Wemid
 blue Wemid

| Width [mm] | | | |
|-------------------|---|----|------------|
| IAP 1.5N/DK -ZB | 2 | 50 | 1896710000 |
| IAP 1.5N/DK-ZB BL | 2 | 50 | 1896730000 |

End bracket
 dark beige Wemid

| Width [mm] | | | |
|------------|---|-----|------------|
| WEW-35/2 | 8 | 100 | 1061200000 |

Test adapter
 Standard version
 With spigot

| | | |
|----------|----|------------|
| ITA 1 | 25 | 1803800000 |
| ITA 1/ZA | 25 | 1803810000 |

Screwdriver


| | | |
|------------|---|------------|
| SWIFTY SET | 1 | 9006060000 |
|------------|---|------------|

Reducing sleeves
 for conductors < 0.5mm² / AWG 20

| | | |
|---------|-----|------------|
| IRH 1.5 | 100 | 1804510000 |
|---------|-----|------------|

Cover
 With elec. shock warn. symbol
 neutral

| | | |
|--------------------|----|------------|
| IAD 1/4 GE | 20 | 1805500000 |
| IAD 1/4 GE Neutral | 20 | 1818420000 |

Marking systems
 Middle
 Page

| | | |
|-----------|----|------------|
| Snap Mark | 50 | 1805880000 |
| WS 10/5 | | 1792000000 |